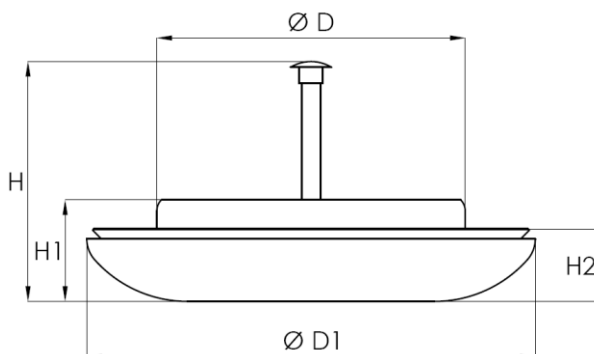


KD wooden diffuser



Product description

Wooden diffuser KD are designed for natural exhaust ventilation. They can also be used as supply and fresh air valves. For wall or ceiling mounting. Easy to install. Variable air flow control. Simple removal for cleaning. Valve body is made of steel sheet and painted in white color RAL 9016. Valve disc is made of pine.

DIMENSIONS						
Type	ØD, mm	ØD1, mm	H, mm	H1, mm	H2, mm	m, kg
KD100	99	144	77	33	24	0,29
KD125	124	170	77	33	24	0,33
KD160	159	210	77	33	24	0,49